

Super Power

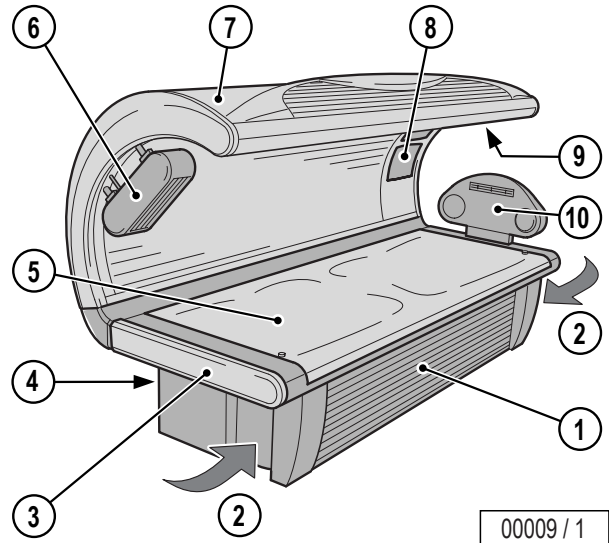
Classic 300

## Contents

Device description.....	2
Technical Data.....	2
Dimensions.....	3
Maximum exhaust pipe length.....	3
Equipment cooling.....	4
Surround cooling.....	4
Exhaust air accessories.....	5
Electrical connections.....	5
Sound system.....	5
Controls.....	6
Air conditioner (not available).....	6

**Device description**

1. Sunbed base
2. Inlet air (Air inlet for cooling the equipment)
3. Feet end
4. Central air outlet vent
5. Acrylic glass panel lower part
6. Surround fan (feet end)
7. Sunbed canopy
8. Face tanner (UV high-pressure lamps)
9. Operating elements
10. Surround fan (head end)



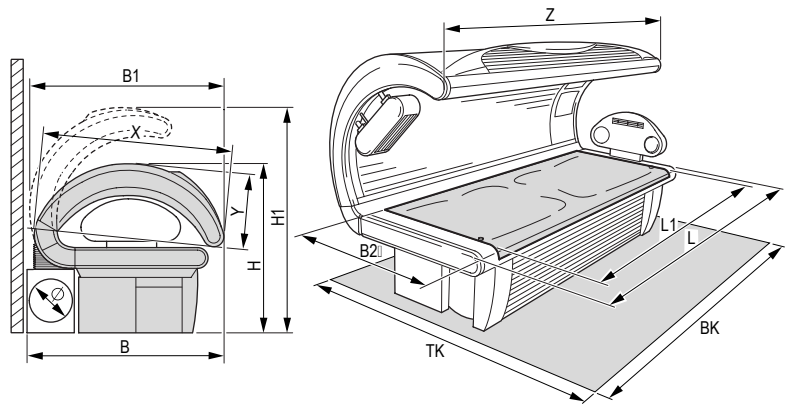
**Technical Data**

Electrical data	
Nominal power consumption:	7000 W
Nominal voltage:	400 – 415 V ~3N
Nominal frequency:	50 Hz
Rated fusing:	3 x 16 A (time-delay)
Performance:	
Canopy:	
UV low pressure lamps	23 x 100 W
UV high pressure lamps	3 x 400 W
Lower part:	
UV low pressure lamps	15 x 100 W

Noise emission	
Acoustic pressure level:	74.0 db (A)
Inlet and exhaust air	
Temperature difference, supply/ exhaust air:	15 °C
Max. air requirement:	950 m³/h
Opt. ambient temperature:	25 °C
Max. ambient temperature:	40 °C
Max. inlet air temperature:	450 cm²
Exhaust cross section w/o exhaust system:	1300 cm²
Cabin inlet air cross section	490 cm²
Warm air return:	not possible

**Dimensions**

B	1023 mm
B1	970 mm
B2	730 mm
L	2250 mm
L1	1885 mm
H	1010 mm
H1	1250 mm
X	970 mm
Y	420 mm
Z	1885 mm
∅	250 mm
BK	2300 mm
TK	2000 mm



00032 / 2

**Maximum exhaust pipe length**

<b>Calculation base (without additional ventilator):</b>	
Back pressure	100 Pascal
Air pressure	100,000 Pascal
Air temperature	40 °C
Density	1.112 kg/m <sup>3</sup>
Dynamic inertia of the air	1.92E-05 Pa x s

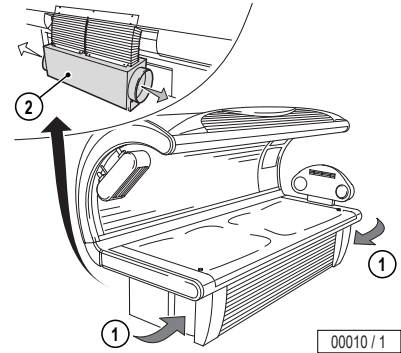
Corrugated pipe ∅	Roughness (at centre) k <sub>absolute</sub>	Flow volume	Loss coefficient		90° bend in line (metal)	Permissible length of straight line
mm	mm	m <sup>3</sup> /h	of pipe	of bend	pieces	m
250	8	950	0.182 <sup>1)</sup>	0.21 <sup>1)</sup>	0	8
					1	6
					2	4
					3	2

1) zeta value (ζ)

### Equipment cooling

To cool the sunbed, cabin or studio air (inlet air) is drawn in at the head and feet ends of the sunbed base (1).

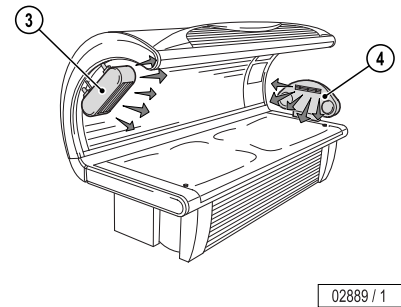
The inlet air is first cleaned in a filter, then fed past the hot UV low-pressure and high-pressure lamps and finally expelled on the left or right as warm exhaust air via the central exhaust air bracket (2).



### Surround cooling

The surround air for the person using the sunbed is supplied via fans at the head end (4) and feet end (3) by means of an incremental control device.

The cabin or studio air is drawn in via air inlet slots and supplied to the user via outlet nozzles.

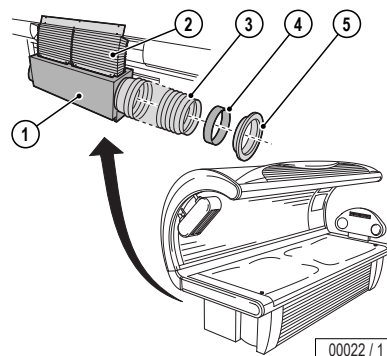


**Exhaust air accessories**

The appropriate corrugated pipe is 250 mm in diameter. With pipe lengths in excess of 4 meters, you will require an additional fan.

The size of the additional fan depends on the overall length of the exhaust channel passage and the number of sunbeds connected. For further advice, please consult your ventilation technician!

We offer various accessories that permit easier connection to a central exhaust system or to the individual device exhaust lines.



Item	Accessory parts	Article No.	Notes
1	Central exhaust air bracket, galvanised steel plate; length 952 mm, height 315 mm, depth 280 mm	3400570	Direct connection possibilities of a $\varnothing$ 250 mm circular corrugated pipe or a rectangular pipe with a cross section 320 x 270 mm. Connection is to the bottom right or bottom left - not to the top!
2	Central extraction adapter	3451640	Connection to the central exhaust air channel
3	Corrugated pipe ( $\varnothing$ 250 mm, 6 m length, flexible, grey) including 2 hose clips	3400580	-
4	Corrugated pipe connector piece ( $\varnothing$ 250 mm)	3400670	For connecting two corrugated pipes
5	Connector bracket for corrugated pipe ( $\varnothing$ 250 mm)	3450350	Connection of the corrugated pipes, e.g. to a canal

**Electrical connections**

Mains supply line	available
Electr. control line	Connection made on external contact point of the sunbed
Line for external music and channel selection	-

**Sound system**

	Article No.	Notes
Audio package	o -	
Loudspeaker set	M 3460010	

M = plus surcharge

o = not available

**Controls**

Control	Article No.	Notes
MCS III plus hand-held remote control	3401070	With chip card terminal
MCS IV plus	3401050	With electronic coin tester
MCS VI	3401020	With electronic coin tester + chip card terminal
Studiopilot	3400990	With electronic coin tester + chip card terminal
Studio-Manager	3452900	Software

**Air conditioner (not available)**

No air conditioner can be supplied with this device model.