

Ultra

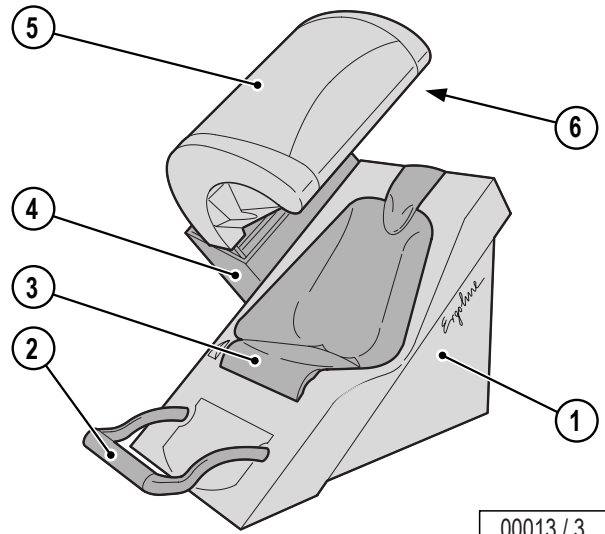
Classic 8000 Ultra

Contents

Device description.....	2
Technical Data.....	2
Dimensions.....	3
Planning example.....	3
Equipment cooling.....	4
Surround cooling.....	4
Exhaust air accessories.....	4
Electrical connections.....	5
Sound system.....	5
Controls.....	5
Air conditioner (not available).....	5

Device description

1. Sunbed base
2. Adjustable footrest
3. Ergonomic bucket seat
4. Central air outlet vent
5. Sunbed canopy (with UV high-pressure lamps and surround air)
6. Control panel



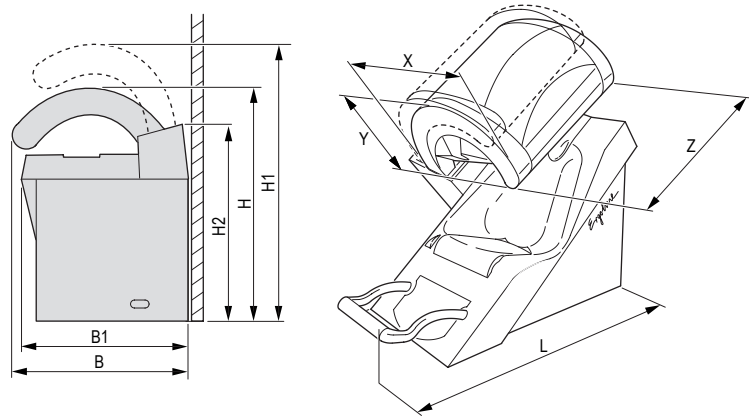
Technical Data

Electrical data	
Nominal power consumption:	5500 W
Nominal voltage:	400 – 415 V ~3N
Nominal frequency:	50 Hz
Rated fusing:	3 x 16 A (time-delay)
Performance:	
Canopy:	
Face tanner	
UV high pressure lamps	6 x 500 W
Hand tanner	
UV high pressure lamps	2 x 280 W

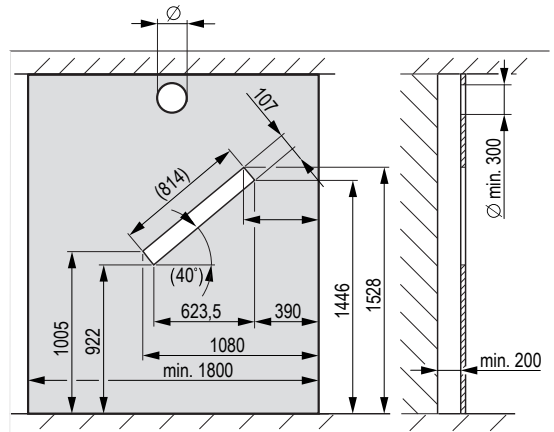
Noise emission	
Acoustic pressure level:	57.5 db (A)
Inlet and exhaust air	
Temperature difference, supply/ exhaust air:	8 °C
Max. air requirement:	1200 m³/h
Opt. ambient temperature:	25 °C
Max. ambient temperature:	40 °C
Max. inlet air temperature:	430 cm²
Exhaust cross section w/o exhaust system:	2200 cm²
Cabin inlet air cross section	not possible

Dimensions

B	1350 mm
B1	1120 mm
L	1710 mm
H	1730 mm
H1	2010 mm
H2	1460 mm
X	1200 mm
Y	500 mm
Z	890 mm
∅	300 mm
BK	2000 mm
TK	2000 mm



00034 / 4



00057 / 2

Planning example

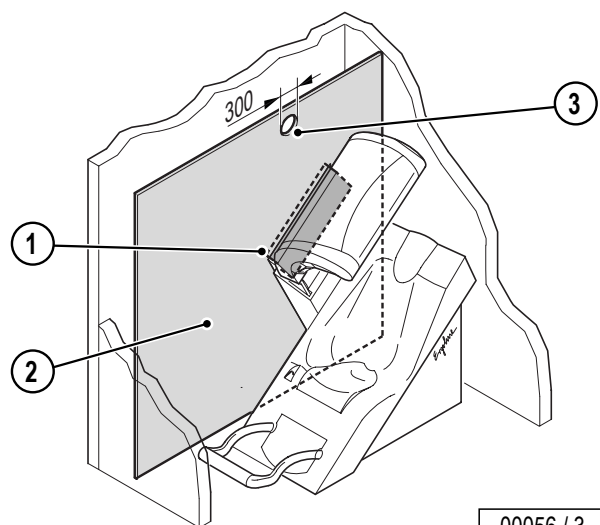
A central air exhaust is only possible via a connection to a so-called double rear wall.

This intermediate wall (2) with exhaust air connection (1) (e.g. chipboard) is designed to fit directly against the rear side of the sunbed and serves as a channel for the exhaust air upwards, if required up to a hanging ceiling.

The corresponding dimensions of such a rear wall for cutting, as well as its positioning, can be taken from the Chapter "Dimensions". Warm air recycling to the studio air conditioning is not provided with this type of tanning equipment.

1. Exhaust air connection
2. Intermediate wall (e.g. pressed chip board)
3. Connection for exhaust air hose

The additional exhaust air connection is required as a necessary accessory in a double rear wall (see Chapter "Exhaust air accessories").

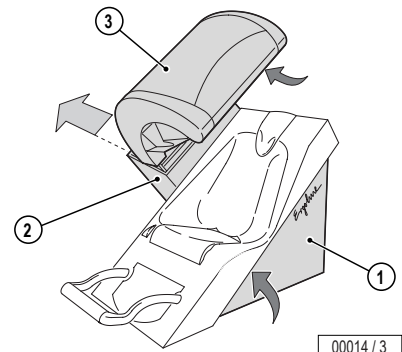


00056 / 3

Equipment cooling

To cool the equipment, cabin or studio air is drawn in beneath the front panel (1) and at the front edge of the sunbed canopy (3) (inlet air).

The air is first cleaned in a filter package, then fed past the hot UV high-pressure lamps and finally expelled as warm air via the exhaust air nozzles (2) at the rear of the sunbed.

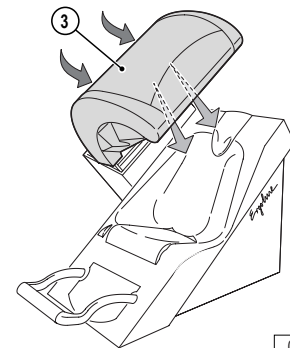


00014 / 3

Surround cooling

Surround air is supplied to the user via an infinitely adjustable fan in the canopy (3) of the partial tanner.

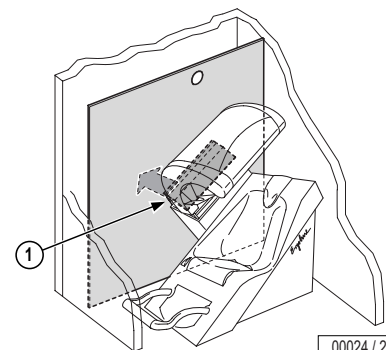
Cabin or studio air is drawn in via air inlet slots on the outside of the sunbed canopy (3) and then fed towards the face and upper body of the user via an asymmetrically arranged, adjustable outlet nozzle.



02909 / 1

Exhaust air accessories

Exhaust air can only be connected to a central exhaust air system via a double rear wall.



00024 / 2

Item	Accessory parts	Article No.	Notes
1	Exhaust air connection to connection on double rear wall	3451860	Without warm air recycling

Electrical connections

Mains supply line	Provided
Electr. control line	approx. 1000 mm
Line for external music and channel selection	approx. 500 mm

Sound system

		Article No.	Notes
Audio package	M	3452050	Audio unit; volume control and channel selection switch are integrated in the control cockpit
Loudspeaker set		-	

M = plus surcharge

Controls

Control		Article No.	Notes
MCS III plus hand-held remote control		3401060	With chip card terminal
MCS IV plus		3401040	With electronic coin tester
MCS VI		3400970	With electronic coin tester + chip card terminal
Studiopilot		3400990	With electronic coin tester + chip card terminal
Studio-Manager		3452900	Software

Air conditioner (not available)

No air conditioner can be supplied with this device model.