

*) The circuit board performance MCS is the interface between the hand-held remote control and the professional sunbed devices from Ergoline without inherent electronics (Ergoline 200/300, Classic 200/300).

Article No.: 3401040
without performance circuit board

Article No.: 3401050
with performance circuit board*)

Contents

Device description..... 2

Technical Data..... 2

Dimensions..... 3

Accessories..... 3

 Accessories supplied..... 3

 Accessories (plus surcharge)..... 3

Installation Dimensions..... 4

Connection diagram for Open Sun, Classic..... 5

Connection diagram for Excellence, Evolution, Advantage, Ambition, Lounge..... 5

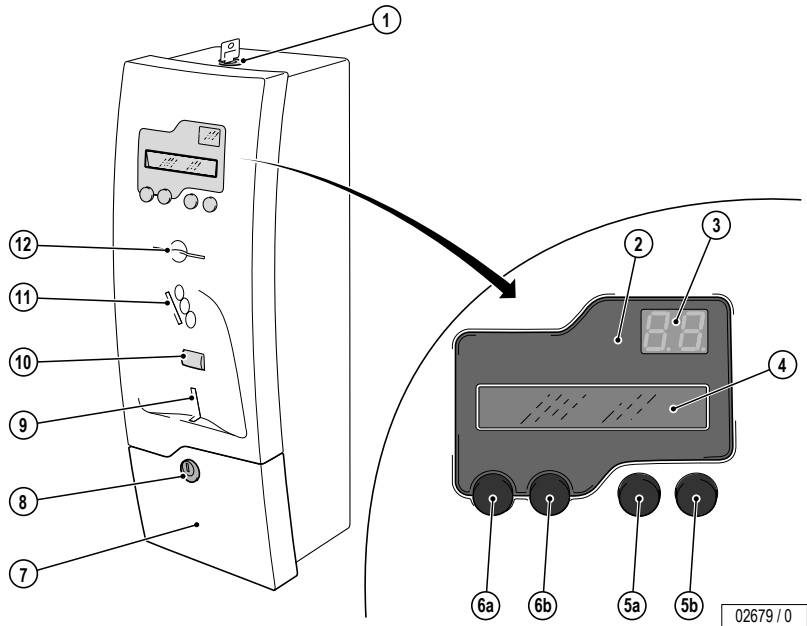
MCS IV plus

Device description

1. Housing lock; simultaneous switching from operation to the menus (info, service, config.)
2. Control panel
3. Time display (remaining time)
4. Text display
- 5a Button input confirmation (T3)
- 5b Button abort (T4)
- 6a Adjust button - (T1)
- 6b Adjust button + (T2)
7. Coin box
8. Coin box lock
9. Coin return slot
10. Coin return button
11. Coin insert¹⁾
12. Chip card slot w/o function

1) 0.5, 1 and 2 Euro coins; tokens (27 mm brass tokens)

Not shown: Mains supply line



MCS IV plus

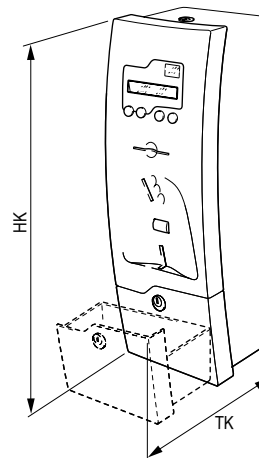
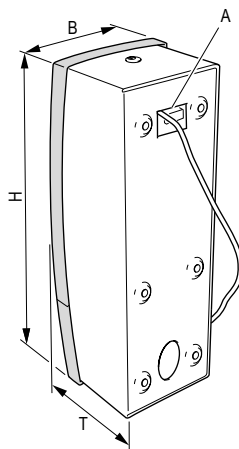
Dual safety cutout switch to standards EN 60335-2-27 and A1 2000 sections 22.108 and 22.109

Technical Data

Equipment:	with electronic coin tester
Model:	Relay control for connection to a sunbed
Assembly/Positioning:	Wall-mounting/flush-mounting
Coin box removal:	Lockable coin box at device or central connection by means of coin tube
	<p>i Note! When a coin tube is connected, the tube for catching the coins must be led through the rear wall of the coin drawer. Rated break points are predetermined (see installation instructions Part No. 86866).</p>
Operating voltage:	Supply from the respective sunbed with a 9-pole plug
Colour:	Light silver matt
Max. ambient temperature:	0 to 40 °C
Max. relative air moisture content:	70 %
Max. storage temperature:	0 to 50 °C

Dimensions

Height	H	[mm]	475
Width	B	[mm]	165
Depth	T	[mm]	162
	HK	[mm]	480
Space requirement	TK	[mm]	170
Connection control line	A		
Weight (without coins)		[kg]	7.4



02921 / 0

Accessories

Accessories supplied

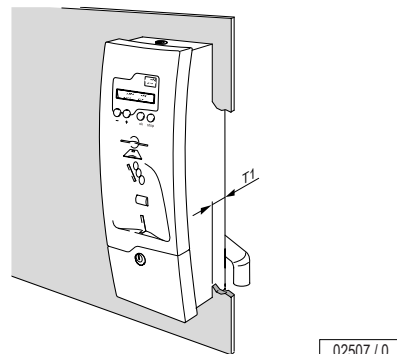
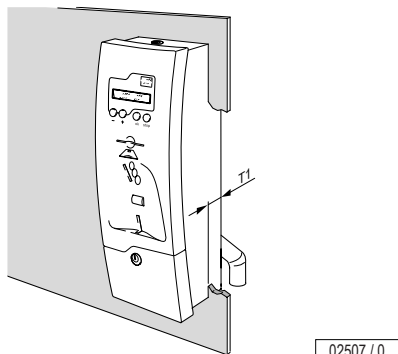
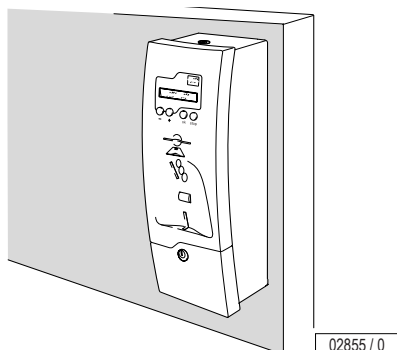
Accessories	Article / Part No.	Notes
2 Keys for the housing	–	
2 Keys for the coin box	–	
Drilling template	86820	
Operating instructions	800068	
Installation instructions	86866	
Mains supply line	61439	

Accessories (plus surcharge)

Accessories	Article / Part No.	Notes
Brass tokens for coin devices	3400530	50 Pieces per unit
Extension for connecting line	3400610	8 x 0.5 mm ² per running meter
Plug and socket part	3400540	For connecting the extension lead to the connecting line.
Coin tube	3401030	For connecting to a central coin collecting box.
Special accessories	3452340	For connecting the coin device to tanning devices of other manufacturers.

Installation Dimensions

You can choose between the following installation variants:



Installation variation Against the wall

The installation of the box must only be undertaken against a solid (e.g. brick) wall.
Detailed information can be found in the installation instructions (Part No. 86866).
When installing against the wall, please make sure that a corresponding cable feed is available.

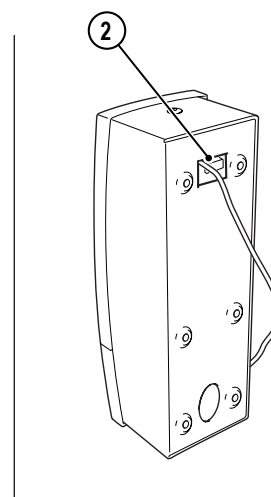
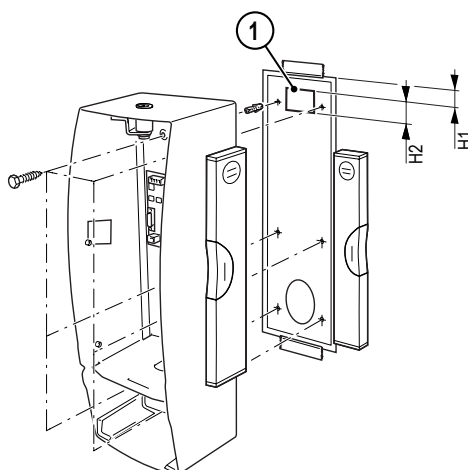
- 1. Cable feed in the wall
 - 2. Cable feed in the rear wall of the coin housing
- H1 35 mm
H2 38 mm

Installation variation In the wall

The maximum built-in depth T1 is 55 mm.
When installing, ensure that there is a stable backing. Detailed information can be found in the installation instructions (Part No. 86866).

Installation variation In the tower

Further information can be found in the description of the tower.



00082 / 1

Installation variation Tanning device

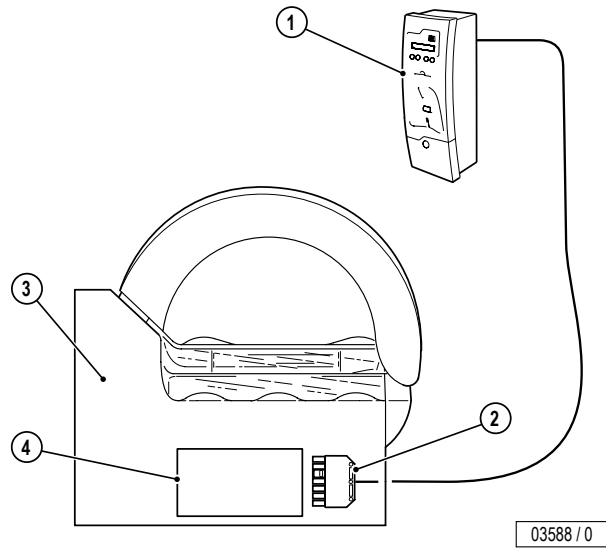
See Ergoline „Lounge“.

MCS IV plus

Connection diagram for Open Sun, Classic

Legend:

- 1. Coin device with microprocessor
- 2. Plug (Art. No. 70010683 / Part No. 10683)
- 3. Sunbed
- 4. Parts support (controller)



03588 / 0

Connection diagram for Excellence, Evolution, Advantage, Ambition, Lounge

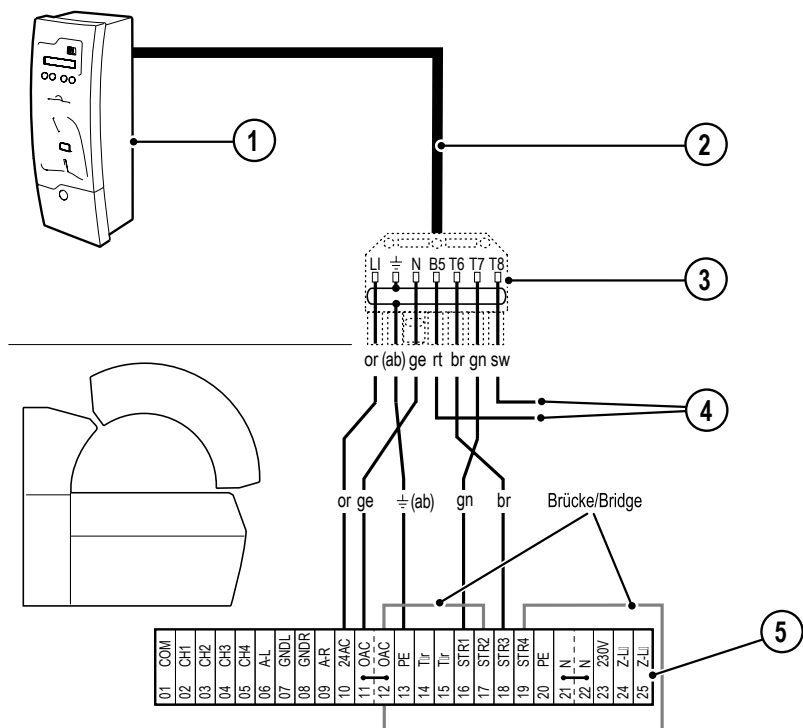
The plug (3) on the coin device (1) must be removed if necessary. The control cable (2) is connected directly to the connection strip (5) of the sunbed. The red and the black wires (4) are to be insulated individually.

Legend:

- 1. Coin device with microprocessor
- 2. Flexible, shielded control cable (10 m) included as standard equipment
- 3. Plug
- 4. Wires to be insulated (red and black)
- 5. Connection strip in sunbed

Wires:

- sw – black
- gn – green
- br – brown
- rt – red
- ge – yellow
- or – orange
- ab – shielding



03470 / 1

MCS IV plus

Contents

Connection options 2

Connection to Compatible Time Control Devices
(Open Sun, Classic) 3

Connection to Compatible Time Control Devices
(Excellence, Evolution, Advantage, Ambition,
Lounge) 3

Connection to Ergoline Coin Boxes (Open Sun,
Classic) 4

Connection to Ergoline Coin Boxes (Excellence,
Evolution, Advantage, Ambition, Lounge) 5



Connection options

The Ergoline sunbeds can be connected either to a remote control or a coin box. It is also possible to connect them to time controls from other suppliers.



Caution!

- The device operating time must be dual controlled with a timing device to the standards EN 60335-2-27 and A1 2000 Section 22.108 and 22.109.
- In the case of failure of the controls, it must be ensured that the sunbed is automatically switched off at the most after <110% of the selected tanning time.
- If a timer with a longer running time is used, this can result in injuries to the skin, and in the long run in skin disease.

Depending on the sunbed, some change-overs will be necessary for connection to the various control devices. For further information on this subject, please refer to the descriptions of the respective sunbeds.

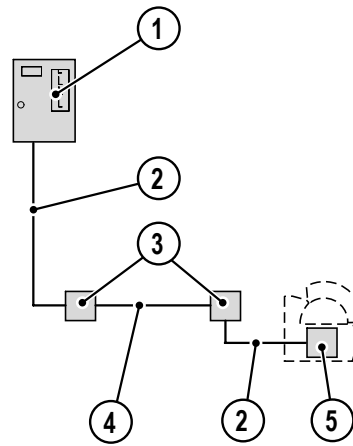
Connection to Compatible Time Control Devices (Open Sun, Classic)

When connecting a compatible time control, the voltage must be supplied from the sunbed.

The sunbed must only be operated with timer control, 30 minutes max. running time. The control scale on the timer must match the time recommended in the tanning program.

Legend:

- 1. Coin device without microprocessor
- 2. Flexible control line H 05 VV - F 7 G 1.5
- 3. Socket
- 4. Installed control line NYM 7 x 1.5 mm²
- 5. Plug (Art. No. 70010440 / Part No. 10440)



01588 / 1

Connection to Compatible Time Control Devices (Excellence, Evolution, Advantage, Ambition, Lounge)

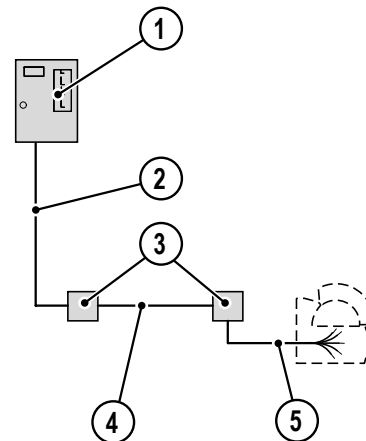
The wiring is connected directly to the connection terminals of the sunbed.

When connecting a compatible time control, the voltage must be supplied from the sunbed.

The sunbed must only be operated with timer control, 30 minutes max. running time. The control scale on the timer must match the time recommended in the tanning program.

Legend:

- 1. Coin device without microprocessor
- 2. Flexible control line H 05 VV - F 7 G 1.5
- 3. Socket
- 4. Installed control line NYM 7 x 1.5 mm²
- 5. Plug (Art. No. 70010440 / Part No. 10440)



03584 / 0

Controls

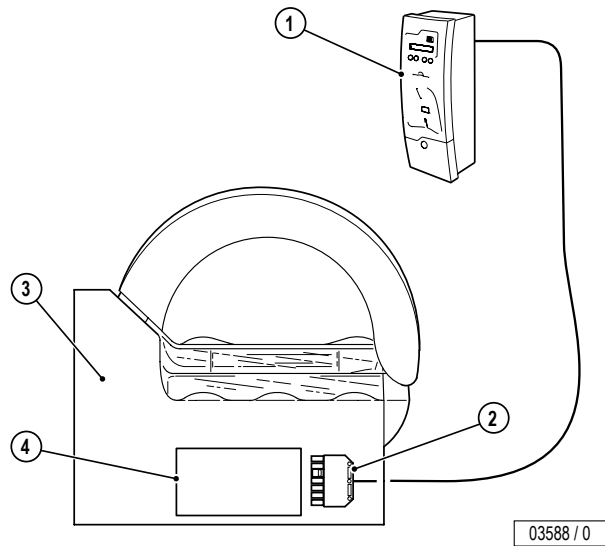
Connection to Ergoline Coin Boxes (Open Sun, Classic)

Should the service cable for the coin device with microprocessor be extended, a flexible and shielded control line (8 x 0.5 mm² Art. No. 70060740 / Part No. 60740) should be laid.

For further information for installation of coin devices and accessories that can be supplied, please refer to the individual device descriptions.

Legend:

- 1. Coin device with microprocessor
- 2. Plug (Art. No. 70010683 / Part No. 10683)
- 3. Tanning device
- 4. Parts support (controller)



Connection to Ergoline Coin Boxes (Excellence, Evolution, Advantage, Ambition, Lounge)

The plug (3) on the coin device (1) must be removed if necessary. The control cable (2) is connected directly to the connection strip (5) of the sunbed. The red and the black wires (4) are to be insulated individually.

Should the service cable for the coin device with microprocessor be extended, a flexible and shielded control line (8 x 0.5 mm² Art. No. 70060740 / Part No. 60740) should be laid.

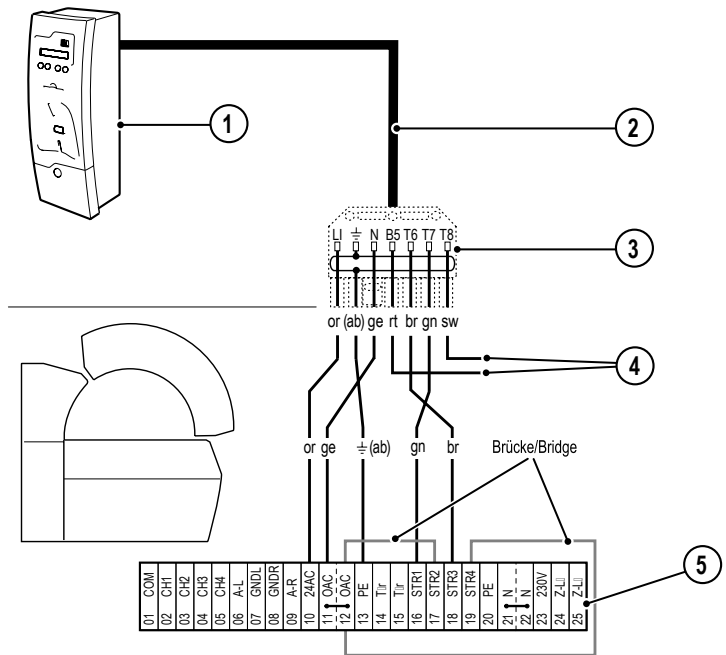
For further information for installation of coin devices and accessories that can be supplied, please refer to the individual device descriptions.

Legend:

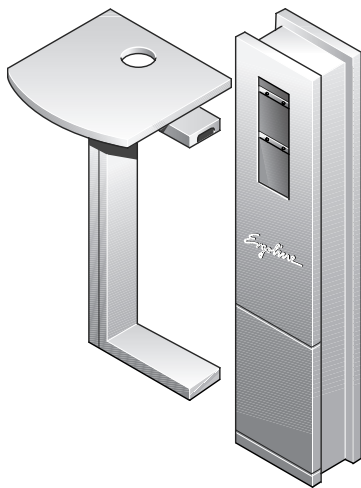
1. Coin device with microprocessor
2. Flexible, shielded control cable (10 m) included as standard equipment
3. Plug
4. Wires to be insulated (red and black)
5. Connection strip in sunbed

Wires:

- sw – black
- gn – green
- br – brown
- rt – red
- ge – yellow
- or – orange
- ab – shielding



03470 / 1



02925 / 0

Tower
Article No.: 3452410
Tower Desk
Article No.: 3452420

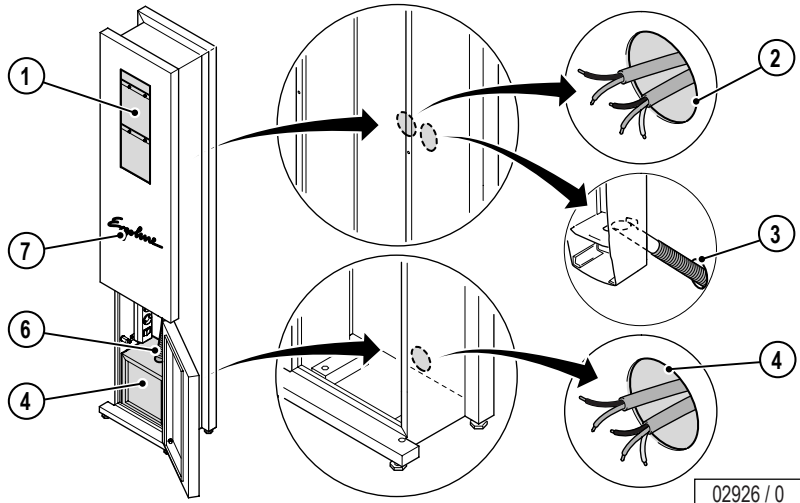
Contents

Description – Tower	2
Description – Tower Desk	2
Technical Data – Tower	3
Dimensions	3
Assembly	4

Tower / Tower-Desk

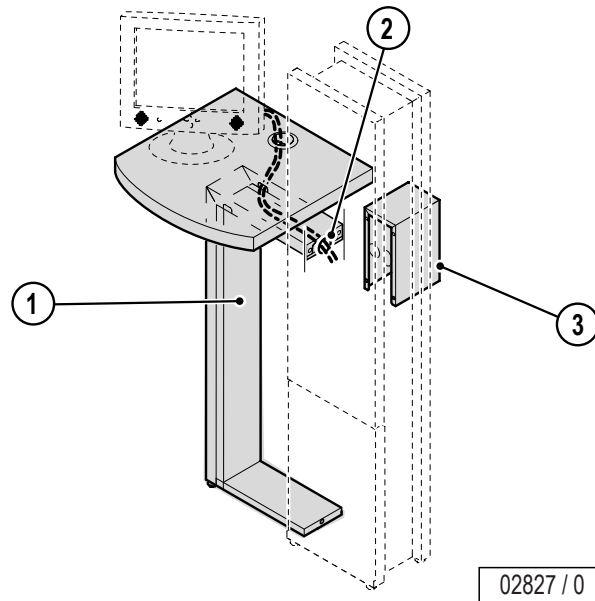
Description – Tower

1. Installation space
2. Cable feed
3. Hole for coin tube for central connection
4. Cable feed
5. Safe
6. Coin tube from coin device in the safe
7. Decorative lighting



Description – Tower Desk

1. Tower Desk
2. Cable feed
3. Cover for wall anchorin

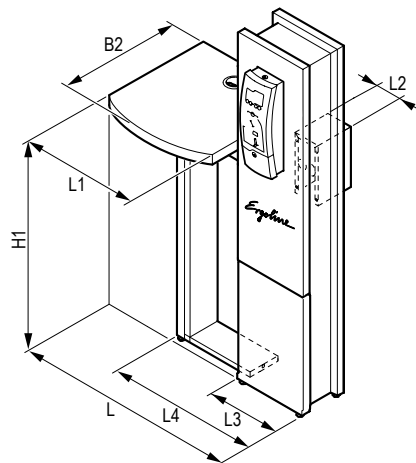
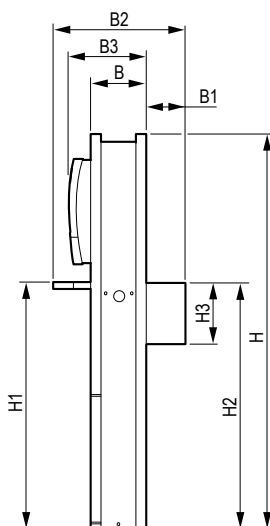


Technical Data – Tower

Connections:	Plug strip for decorative lighting and coin device
Assembly/Positioning:	ree-standing, anchored against the wall and to the floor
Coin box removal:	Safe or central connection via coin tube
	<p>i Note! When a coin tube is connected, the tube for catching the coins must be led through the rear wall of the tower. Rated break points are predetermined (see installation instructions Part No. 800192)..</p>
Max. ambient temperature:	0 to 40 °C
Max. relative air moisture content:	70 %
Max. storage temperature:	0 to 50 °C

Dimensions

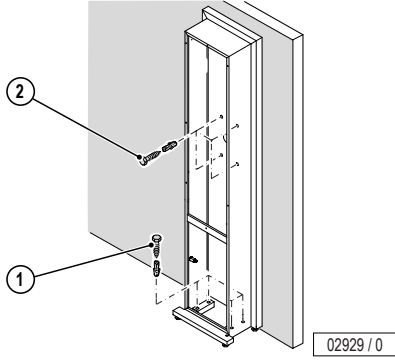
B	250 mm
B1	176 mm
B2	600 mm
B3	356 mm
L	1035 mm
L1	600 mm
L2	124 mm
L3	385 mm
L4	782 mm
H	1780 mm
H1	1120 mm
H2	1116 mm
H3	280 mm



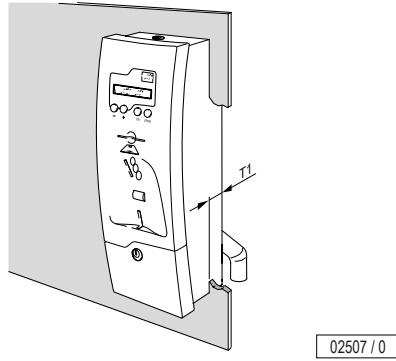
02928 / 0

Assembly

The Tower must be fastened to the floor (1) and against the wall (2) in order to ensure stability.



If a Tower Desk is to be installed additionally, then the cover (1) between the Tower and wall must be installed and the Tower must be fixed to the floor (2) and against the wall (3).



Detailed information can be found in the installation instructions (Part No. 800192).