

\* ) The circuit board performance MCS is the interface between the hand-held remote control and the professional sunbed devices from Ergoline without inherent electronics (Ergoline 200/300, Classic 200/300).

**Article No.: 3401060**  
without performance circuit board

**Article No.: 3401070**  
with performance circuit board<sup>\*)</sup>

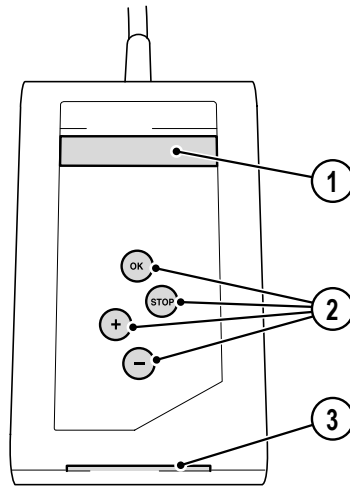
## Contents

Device description.....	2
Technical Data.....	2
Accessories.....	2
Accessories supplied.....	2
Connection diagram for Open Sun, Classic.....	3
Connection diagram for Excellence, Evolution, Advantage, Ambition, Lounge.....	3

## Device description

1. Display
2. Operating keys
3. Chip card slot

Dual safety cutout switch to standards  
EN 60335-2-27 and A1 2000 sections  
22.108 and 22.109



04178 / 0

## Technical Data

Equipment:	Relay control for connection to a sunbed, with chip card reader
Operating voltage:	Supply from the respective sunbed with a 7-pole plug / direct connection
Colour:	Techno Grey
Max. ambient temperature:	0 to 40 °C
Max. relative air moisture content:	70 %
Max. storage temperature:	0 to 50 °C
Dimensions [mm]:	
width x height x depth	100 x 180 x 36

## Accessories

### Accessories supplied

Accessories	Article / Part No.	Notes
Master Card (1 piece)	-	
Control line (5 m)		Connector plug (extra-low voltage)

Connection diagram for Open Sun, Classic

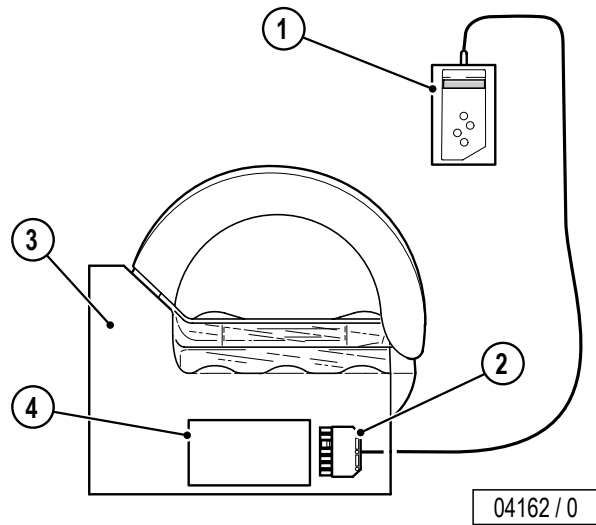
Legend:

- 1. Remote control with microprocessor
- 2. Plug
- 3. Sunbed
- 4. Parts support (controller)



**Caution!**

The green/black plug may only be used on the Ergoline hand-held remote control.



MCS III plus

## Connection diagram for Excellence, Evolution, Advantage, Ambition, Lounge

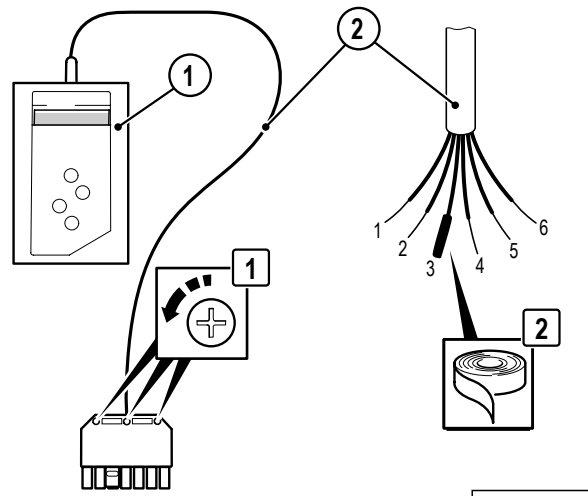
The plug on the hand-held remote control (1) must be removed. The control cable (2) is connected directly to the connection strip (3) of the sunbed. The white wire is to be insulated.

### Legend:

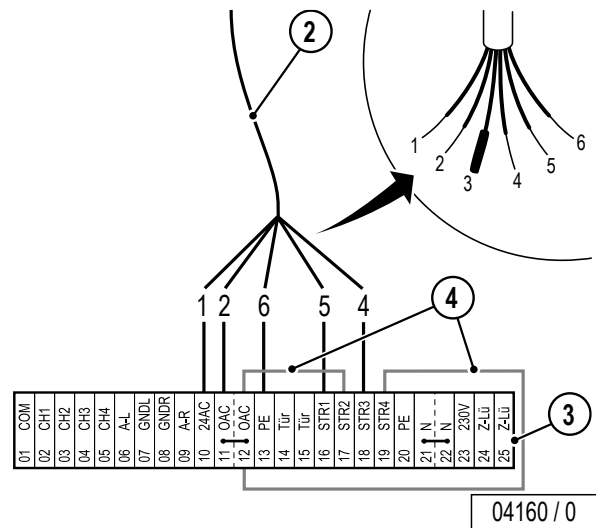
1. Hand-held remote control with micro-processor
2. Connection cable (control line)
3. Bridge
4. Connection strip in sunbed

### Wires:

- 1 – pink
- 2 – yellow
- 3 – white
- 4 – brown
- 5 – green
- 6 – green-yellow



04161 / 0



04160 / 0

MCS III plus